

1658640-1 ✓ ACTIVE

AMPLIMITE

TE Internal #: 1658640-1

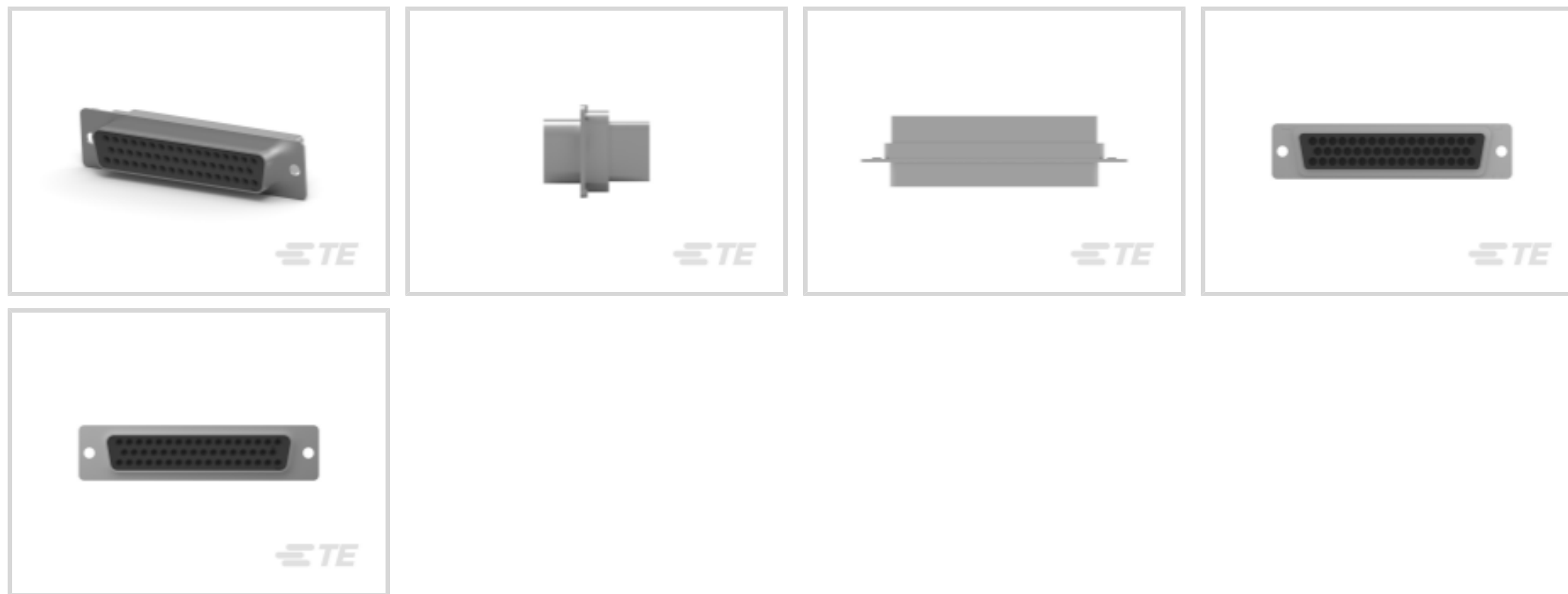
Crimp D-Sub Connectors, Receptacle, Cable-to-Cable, 50 Position, Size 20, Size 5, Mating Retention, Shielded

[View on TE.com >](#)



Connectors > D-Shaped Connectors > D-Sub Connectors > Crimp D-Sub Connectors >

D-Sub Crimp Recpt Signal 50 Posn, Socket Size 20, Shell Size 5



Connector & Housing Type: **Receptacle**

Connector System: **Cable-to-Cable**

Number of Positions: **50**

D-Sub Contact Size: **20**

D-Sub Shell Size: **5**

[All D-Sub Crimp Recpt Signal 50 Posn, Socket Size 20, Shell Size 5 \(6\)](#)

### Features

#### Product Type Features

Grounding Indents	Without
Product Type	Connector
Grade	Standard
Shell Type	Full Metal Shell
Connector & Housing Type	Receptacle
Connector System	Cable-to-Cable
D-Sub Shell Size	5
Sealable	No
Connector & Contact Terminates To	Wire & Cable

#### Configuration Features

Number of Positions	50
---------------------	----

#### Body Features



Shell Plating Material	Tin
Shield Plating Material	Steel
Shell Material	Steel
Insert Material	Glass-Filled Nylon

### Contact Features

D-Sub Contact Size	20
--------------------	----

### Mechanical Attachment

Mating Retention	With
Mating Retention Type	Mounting Holes

### Housing Features

Housing Color	Black
Housing Material	Nylon GF, Polyester GF
Centerline (Pitch)	2.74 mm, 2.76 mm, 2.79 mm [.108 in][.109 in] [.11 in]

### Dimensions

Cable Insulation Diameter Range	4.58 – 11.68 mm
Wire Size	.2 – .56 mm <sup>2</sup>

### Usage Conditions

Operating Temperature Range	-55 – 105 °C [-67 – 221 °F]
-----------------------------	-----------------------------

### Operation/Application

Shielded	Yes
Circuit Application	Signal

### Industry Standards

Insert Flammability Rating	UL 94V-0
UL Flammability Rating	UL 94V-0

### Packaging Features

Packaging Quantity	225
Packaging Method	Package

### Other

Comment	Receptacles accept size 20 DF socket contacts.
---------	------------------------------------------------



## Product Compliance

[For compliance documentation, visit the product page on TE.com>](#)

EU RoHS Directive 2011/65/EU	Compliant
EU ELV Directive 2000/53/EC	Compliant
China RoHS 2 Directive MIIT Order No 32, 2016	No Restricted Materials Above Threshold
EU REACH Regulation (EC) No. 1907/2006	Current ECHA Candidate List: JUNE 2022 (224) Candidate List Declared Against: JUNE 2022 (224) Does not contain REACH SVHC
Halogen Content	Not Low Halogen - contains Br or Cl > 900 ppm.
Solder Process Capability	Not applicable for solder process capability

### Product Compliance Disclaimer

This information is provided based on reasonable inquiry of our suppliers and represents our current actual knowledge based on the information they provided. This information is subject to change. The part numbers that TE has identified as EU RoHS compliant have a maximum concentration of 0.1% by weight in homogenous materials for lead, hexavalent chromium, mercury, PBB, PBDE, DBP, BBP, DEHP, DIBP, and 0.01% for cadmium, or qualify for an exemption to these limits as defined in the Annexes of Directive 2011/65/EU (RoHS2). Finished electrical and electronic equipment products will be CE marked as required by Directive 2011/65/EU. Components may not be CE marked. Additionally, the part numbers that TE has identified as EU ELV compliant have a maximum concentration of 0.1% by weight in homogenous materials for lead, hexavalent chromium, and mercury, and 0.01% for cadmium, or qualify for an exemption to these limits as defined in the Annexes of Directive 2000/53/EC (ELV). Regarding the REACH Regulation, the information TE provides on SVHC in articles for this part number is based on the latest European Chemicals Agency (ECHA) 'Guidance on requirements for substances in articles' posted at this URL: <https://echa.europa.eu/guidance-documents/guidance-on-reach>

## Compatible Parts



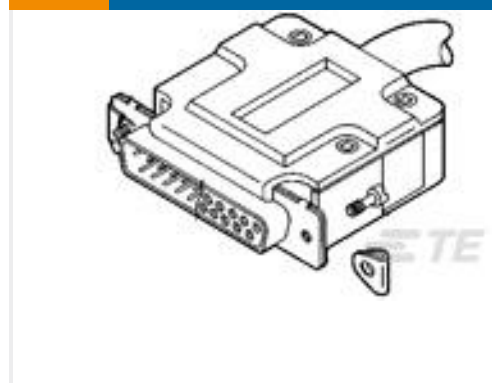
TE Part # CAT-035-DCPPS205  
D-Sub Crimp: Plug, Signal, 50 Posn, Pin Size 20, Shell Size 5



TE Part # CAT-035-DCRSS205  
D-Sub Crimp Recept Signal 50 Posn, Socket Size 20, Shell Size 5



TE Part # 5748676-5  
DIE CAST CBL CLMP KIT, SZ 5



TE Part # 1-5207908-3  
KIT S/R SCREW RET 90/180 DEG



TE Part # 206509-1  
SIZE 20 KEYING PLUG



## Documents

### Product Drawings

[HDP-20,RCPT,SIZE 5, 50 POSN](#)

English

---

### CAD Files

Customer View Model

[ENG\\_CVM\\_1658640-1\\_C.3d\\_stp.zip](#)

English

Customer View Model

[ENG\\_CVM\\_1658640-1\\_C.2d\\_dxf.zip](#)

English

Customer View Model

[ENG\\_CVM\\_1658640-1\\_C.3d\\_igs.zip](#)

English

### 3D PDF

3D

By downloading the CAD file I accept and agree to the [Terms and Conditions](#) of use.

---

### Datasheets & Catalog Pages

[AMPLIMITE Subminiature D Connectors - Cable Connectors](#)

English

[AMPLIMITE Cable Connectors and Shielding Hardware Kits QRG](#)

English

---

### Product Specifications

[Application Specification](#)

English

---

### Product Environmental Compliance

[MD\\_1658640-1\\_101520182325\\_dmtec](#)

English

[MD\\_1658640-1\\_101520182325\\_dmtec](#)

English

---

### Instruction Sheets

[Instruction Sheet \(U.S.\)](#)

English

---

### Agency Approvals

[UL Report](#)

English